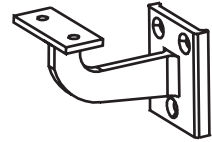
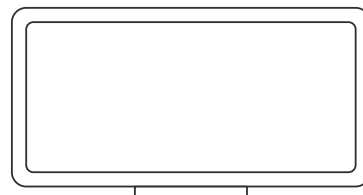


Offset Handrail

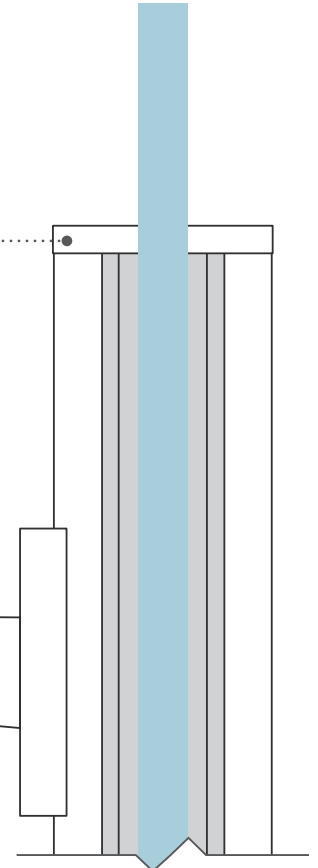


Offset Bracket



Offset handrail bracket

Post top cap



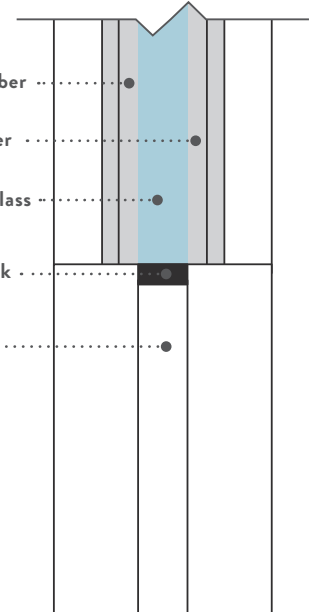
Captive wedge rubber

P40 wedge rubber

10mm toughened glass

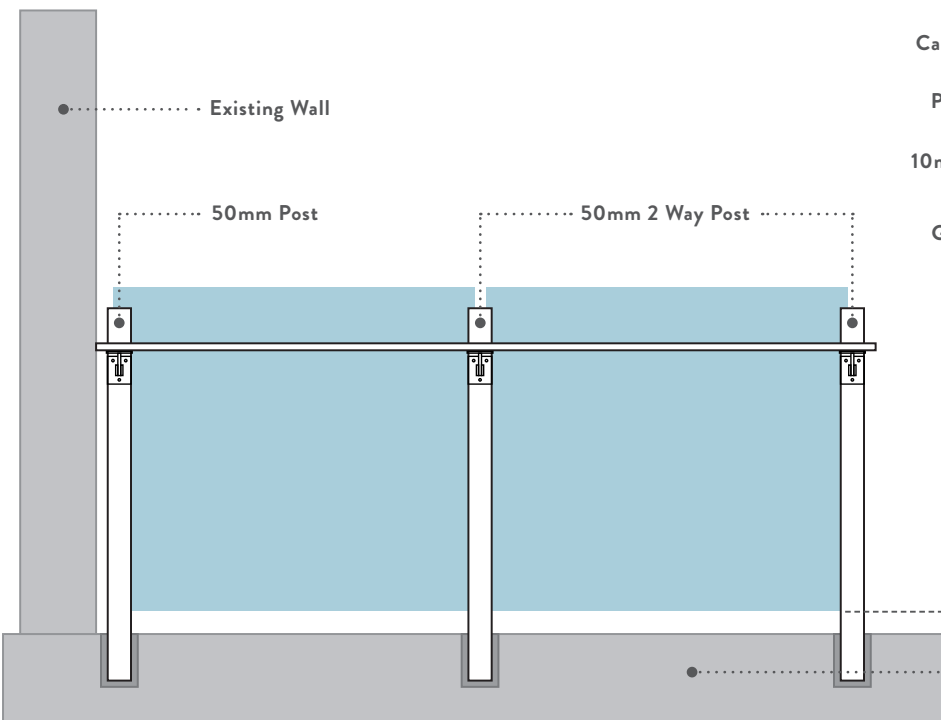
Glass sitting block

Post infill



100mm MAX

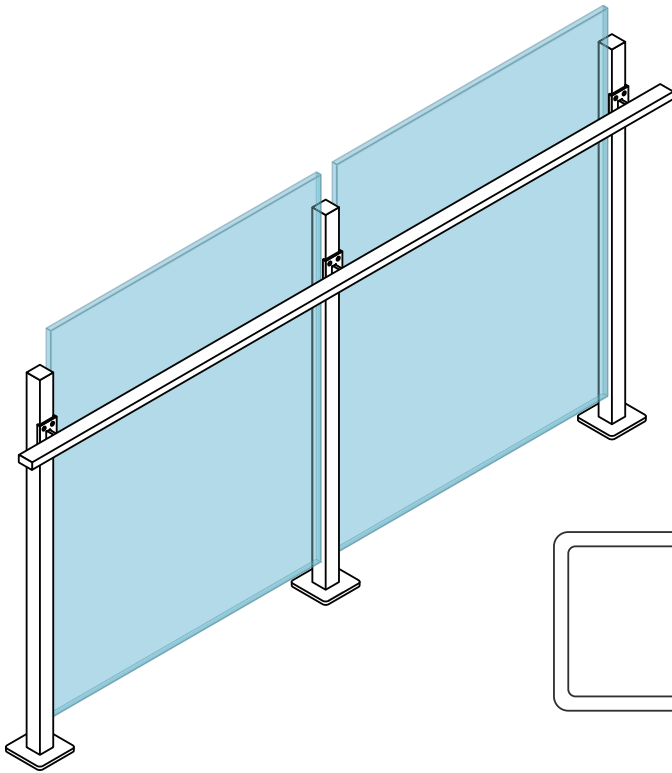
Existing Floor



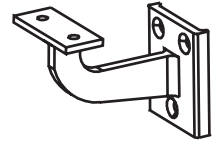
Existing Wall

50mm Post

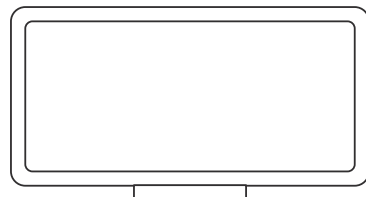
50mm 2 Way Post



Offset Handrail

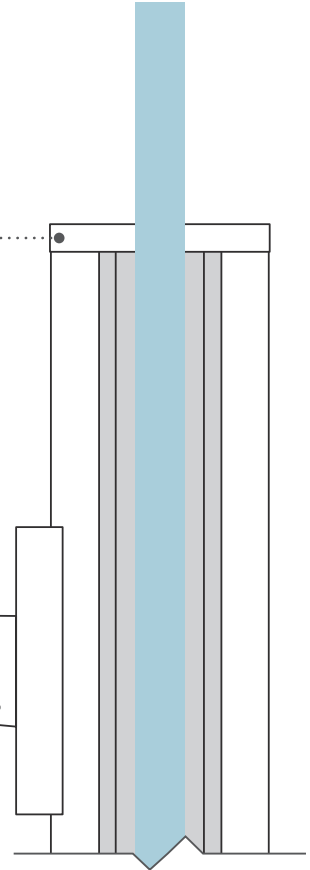


Offset Bracket



Offset handrail bracket

Post top cap



Captive wedge rubber

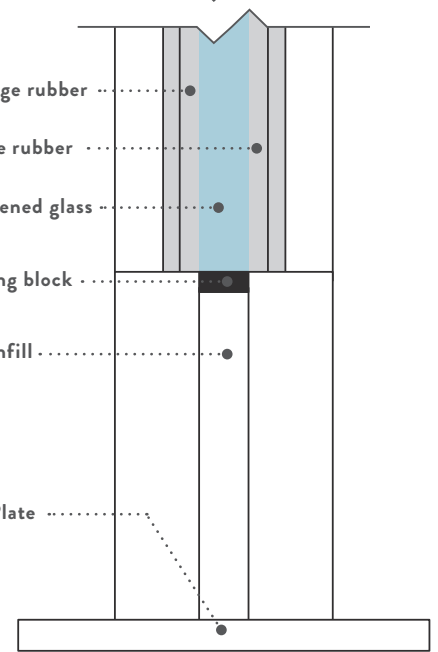
P40 wedge rubber

10mm toughened glass

Glass sitting block

Post infill

Base Plate



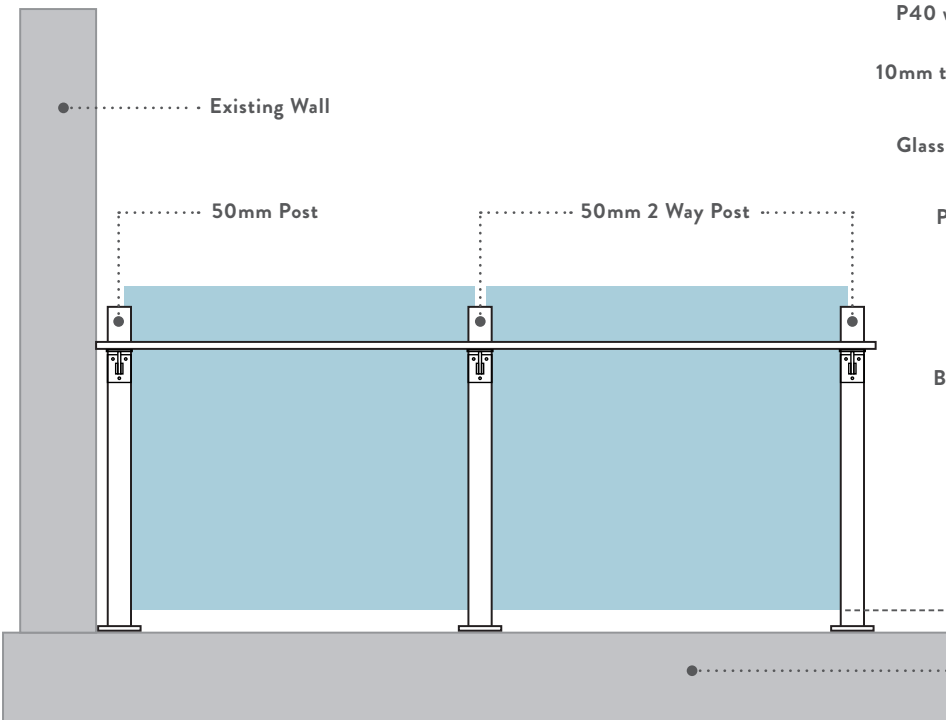
100mm MAX

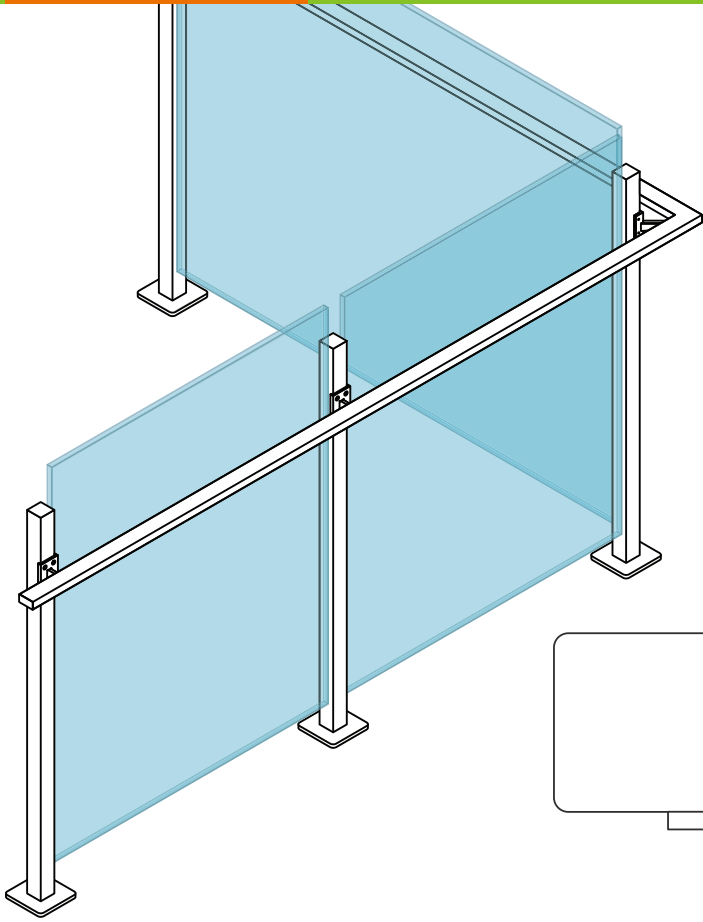
Existing Floor

Existing Wall

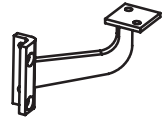
50mm Post

50mm 2 Way Post

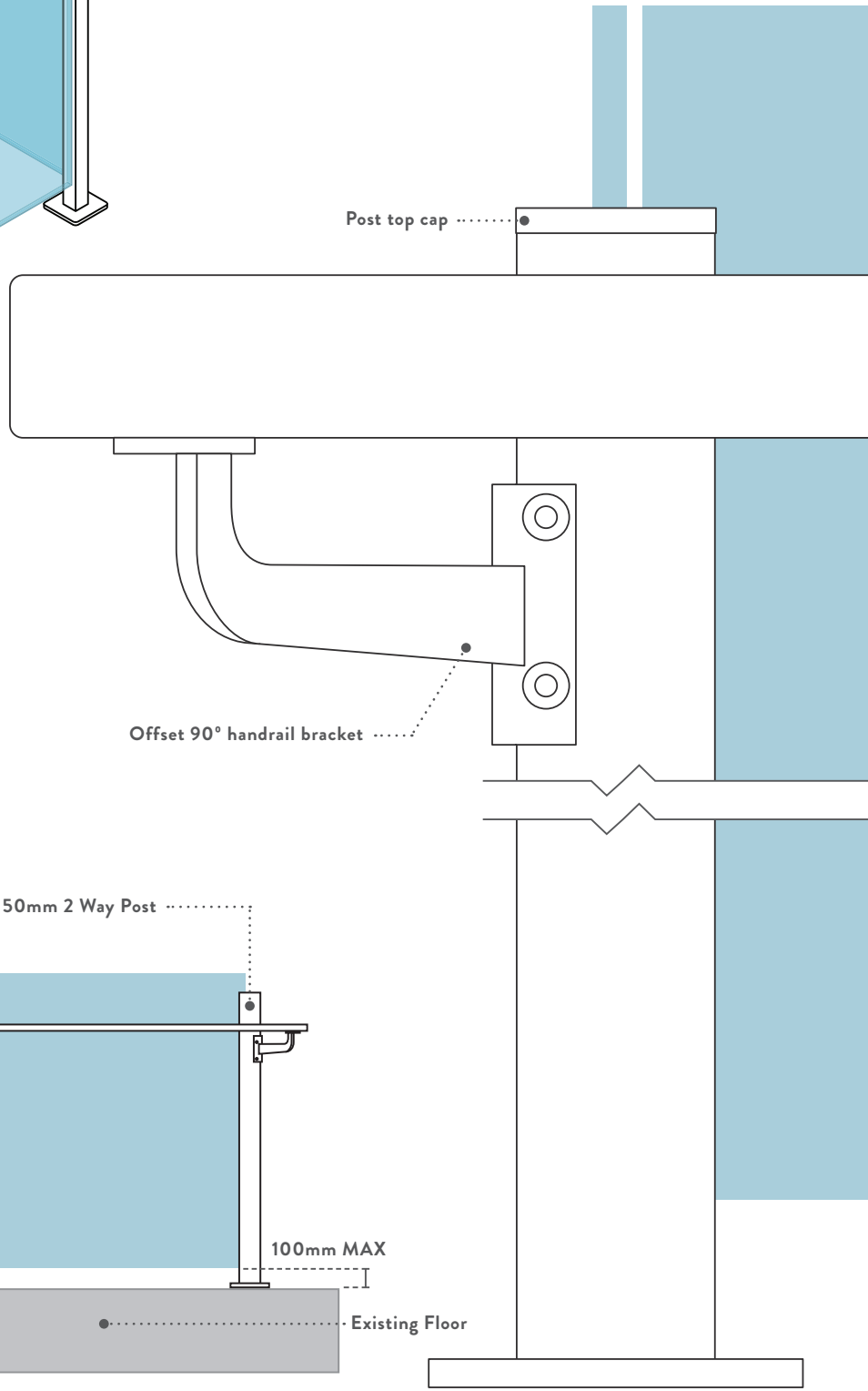
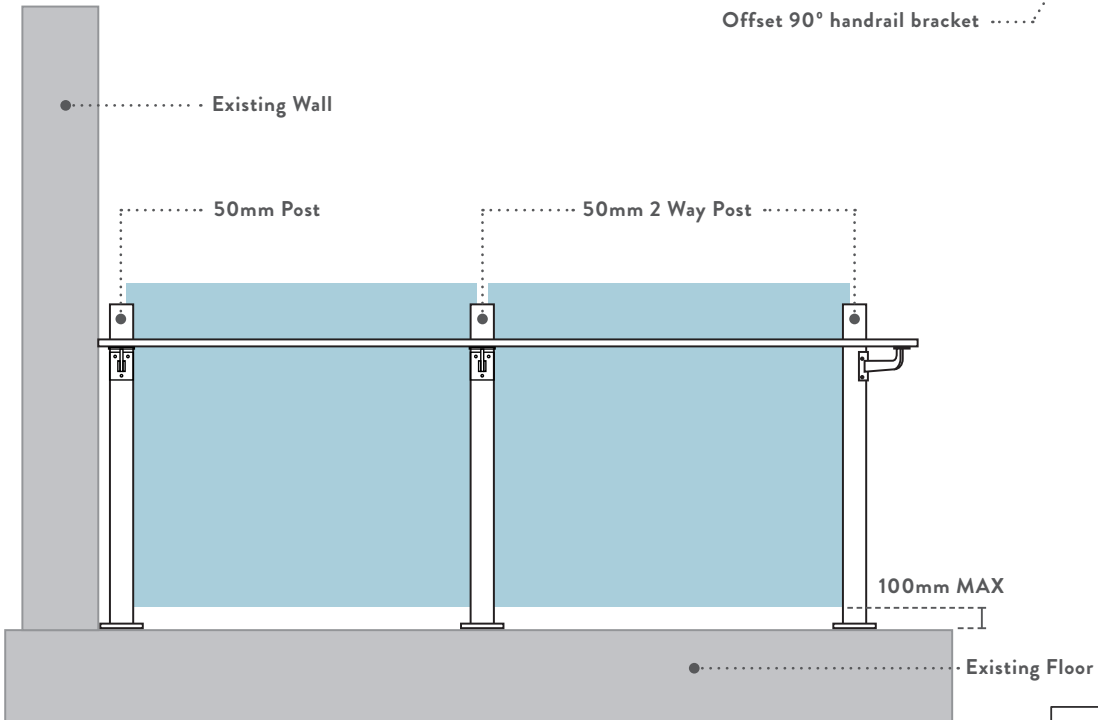




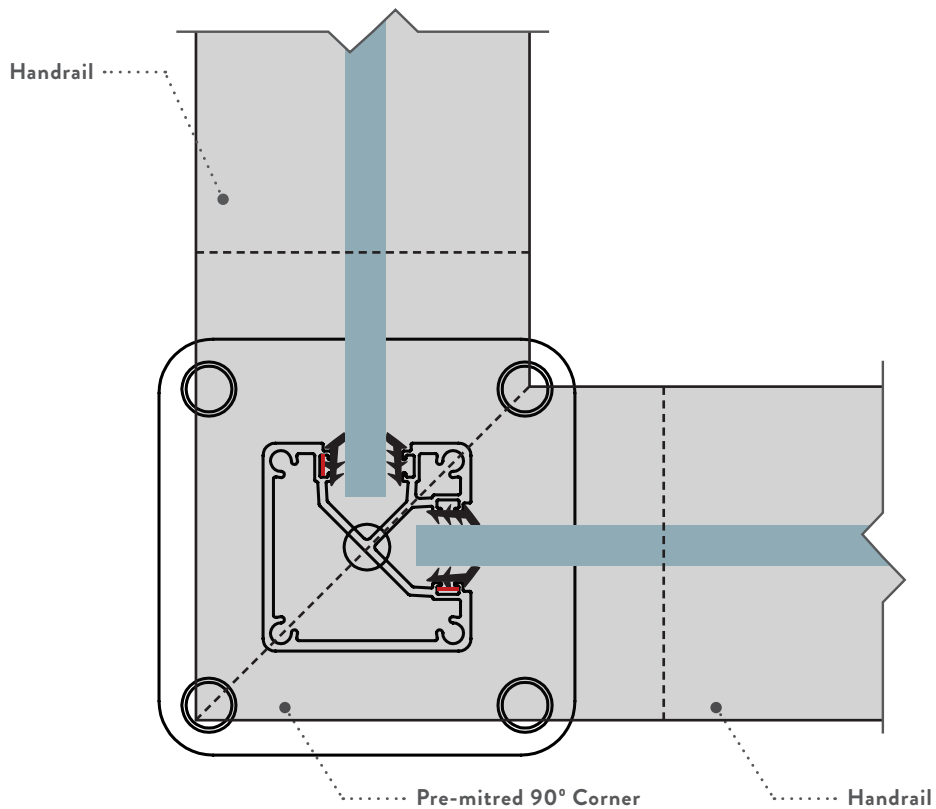
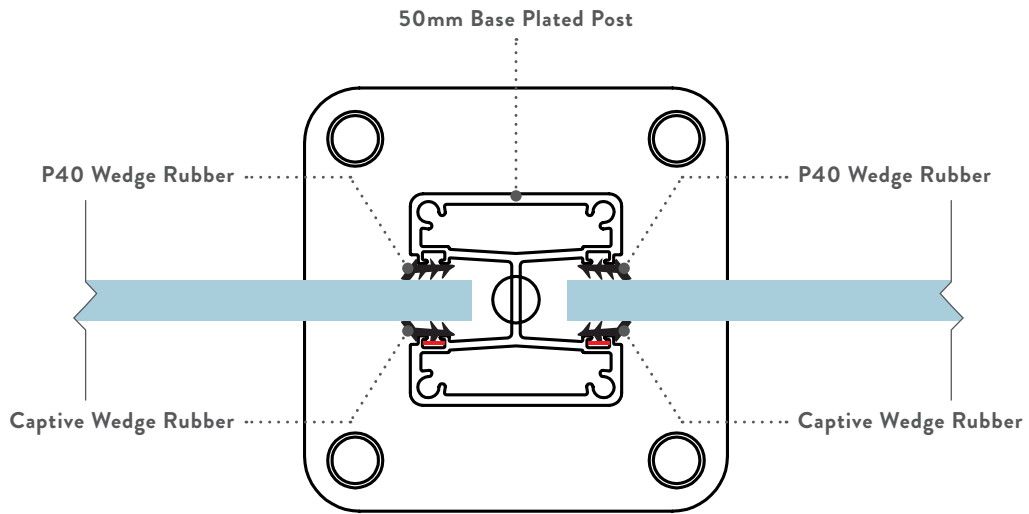
Offset Handrail



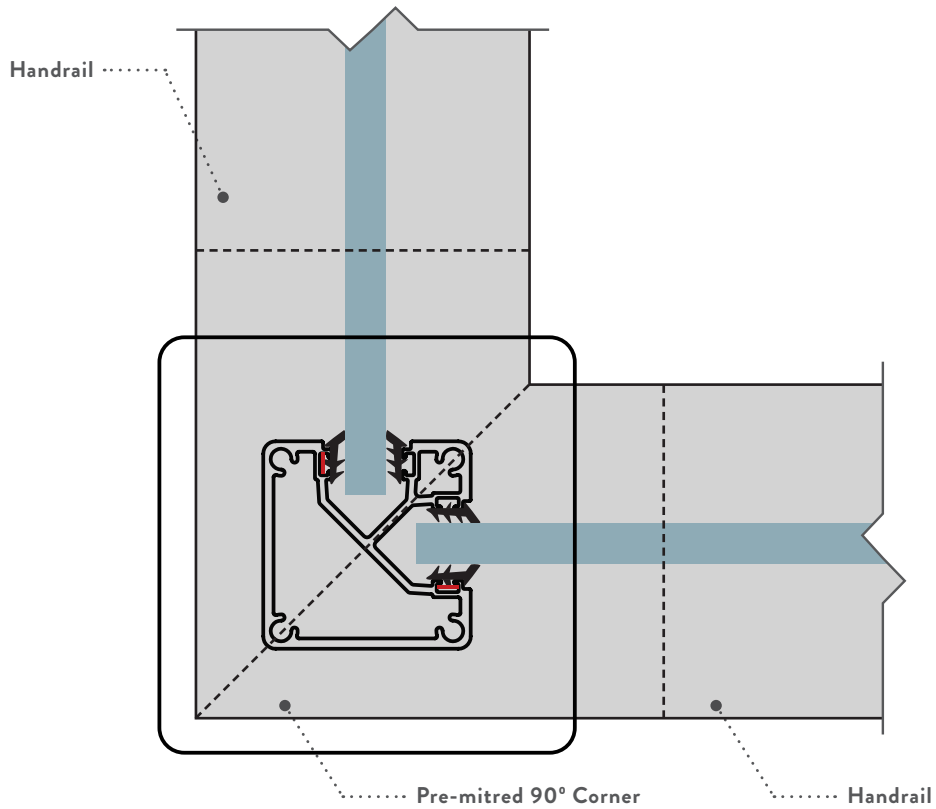
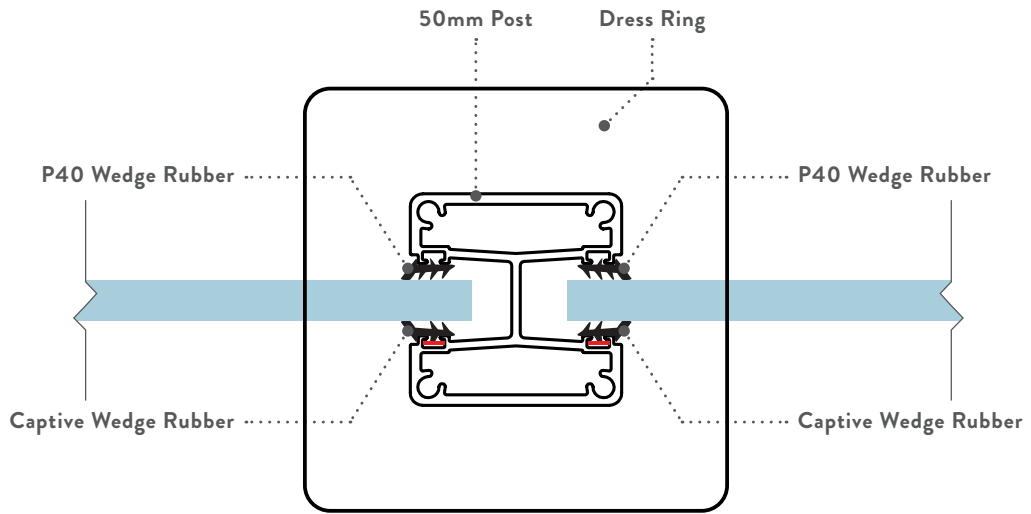
Offset 90° Handrail Bracket



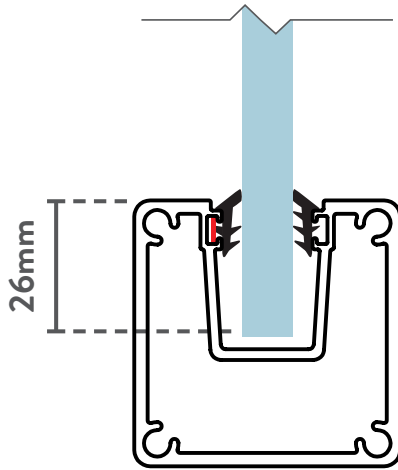
Please note: Offset 90° handrail bracket can be used on internal OR external corner installations



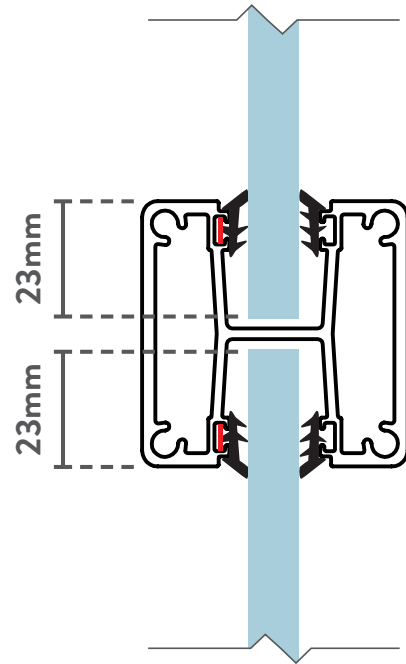
If using base plate, please seek own engineering as every install is different



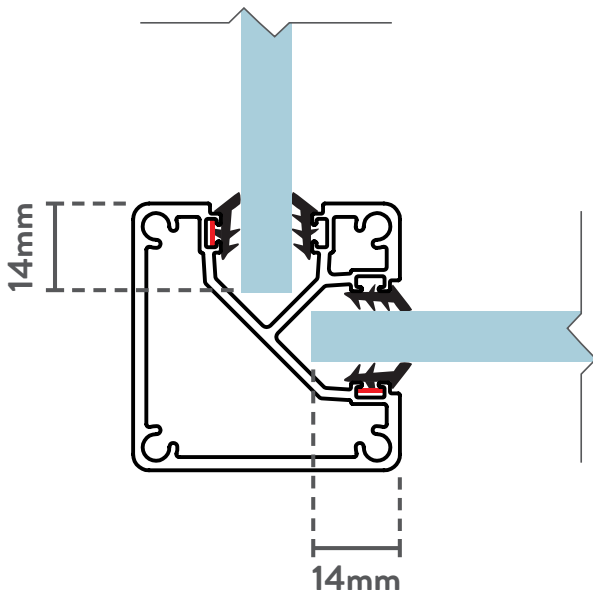
Suggested minimum penetration into the glazing pocket is 10mm



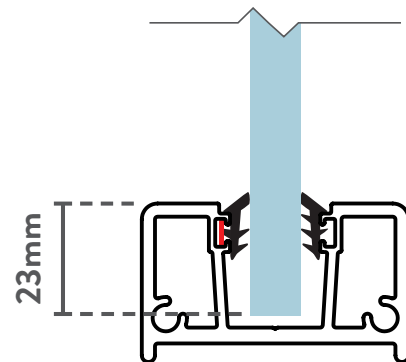
One Way Post



Two Way Post



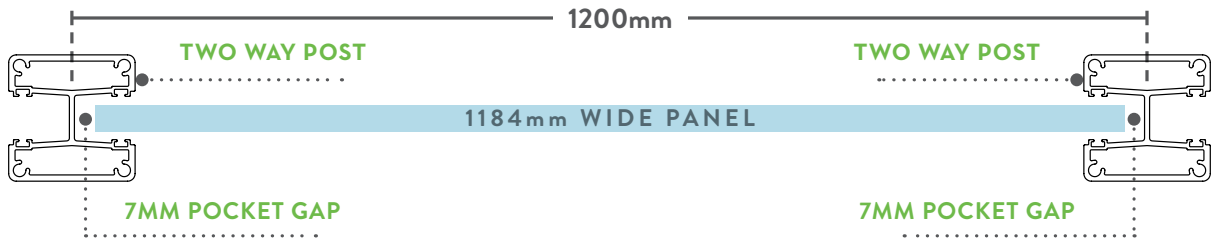
90 Degree Post



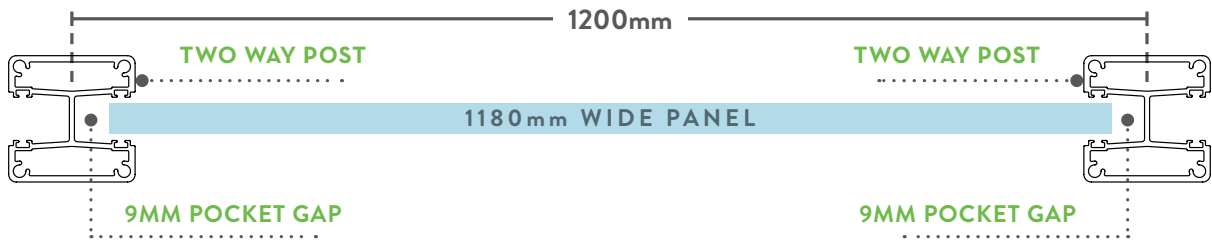
Half Post

Avoid allowing the glass to contact the aluminium back wall in order to prevent glazing shock

**8MM & 10MM POOL PANELS 1200MM HIGH**



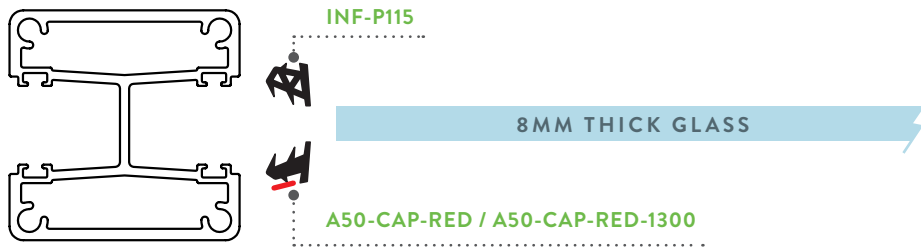
**10MM BALUSTRADE PANELS 850MM & 950MM HIGH**



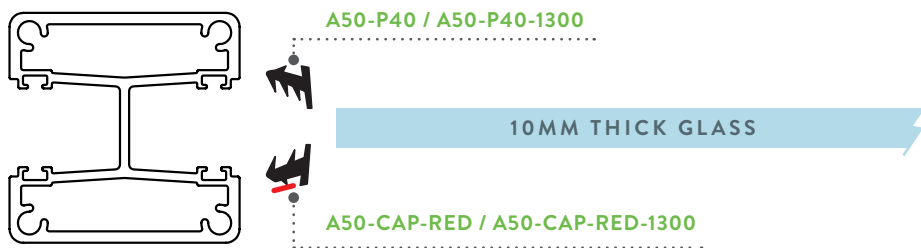
**12MM POOL & BALUSTRADE PANELS 1200MM & 970MM HIGH**



### 8MM GLASS PANELS P115 & RED CAPTIVE



### 10MM GLASS PANELS P40 & RED CAPTIVE



### 12MM GLASS PANELS P31/13 & BLUE CAPTIVE

