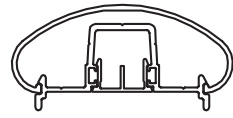
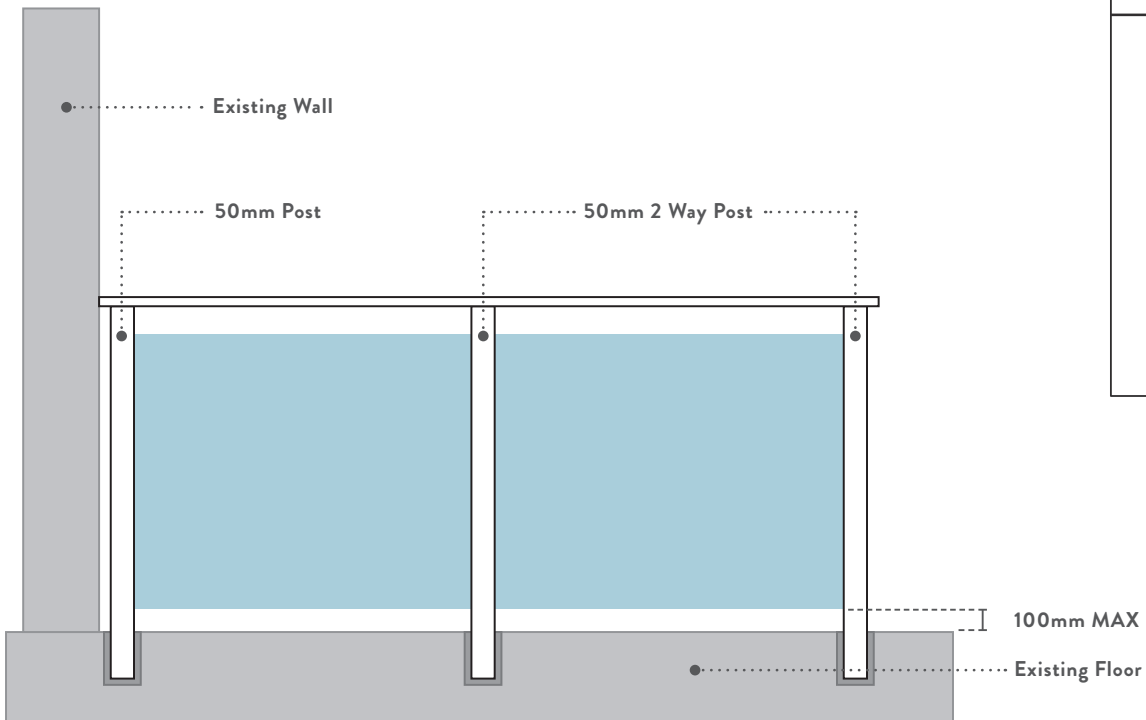
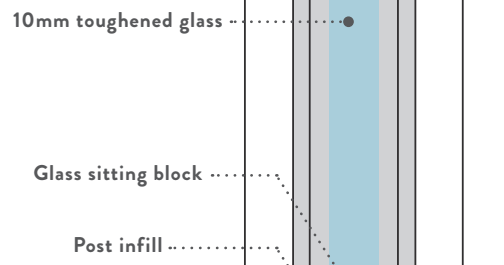
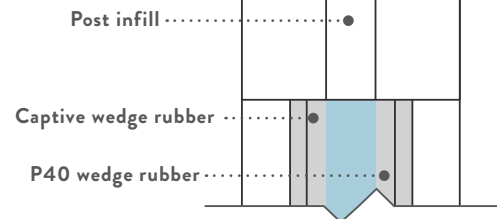
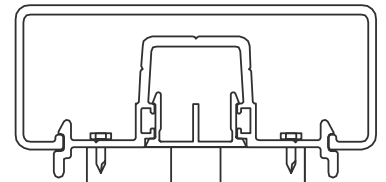
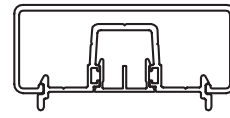
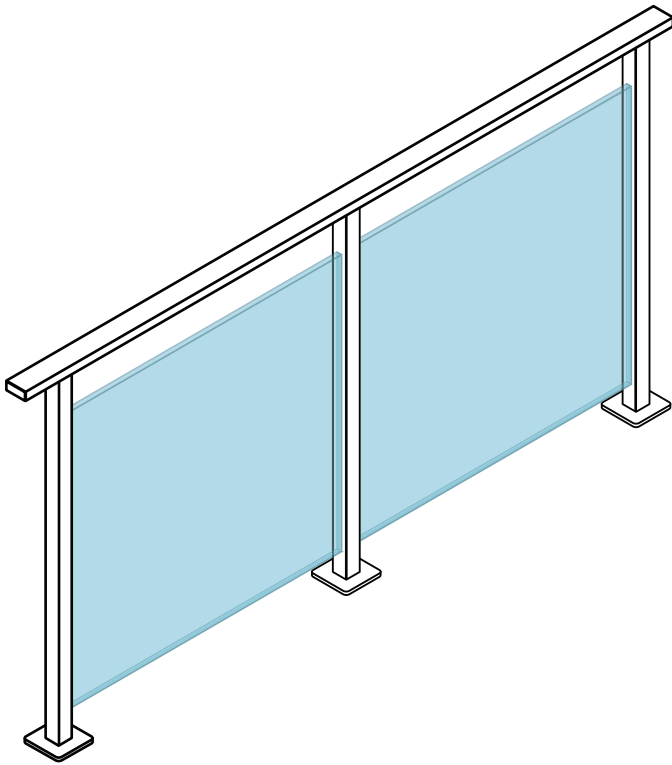


Rectangular Handrail

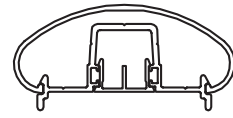


Oval Handrail

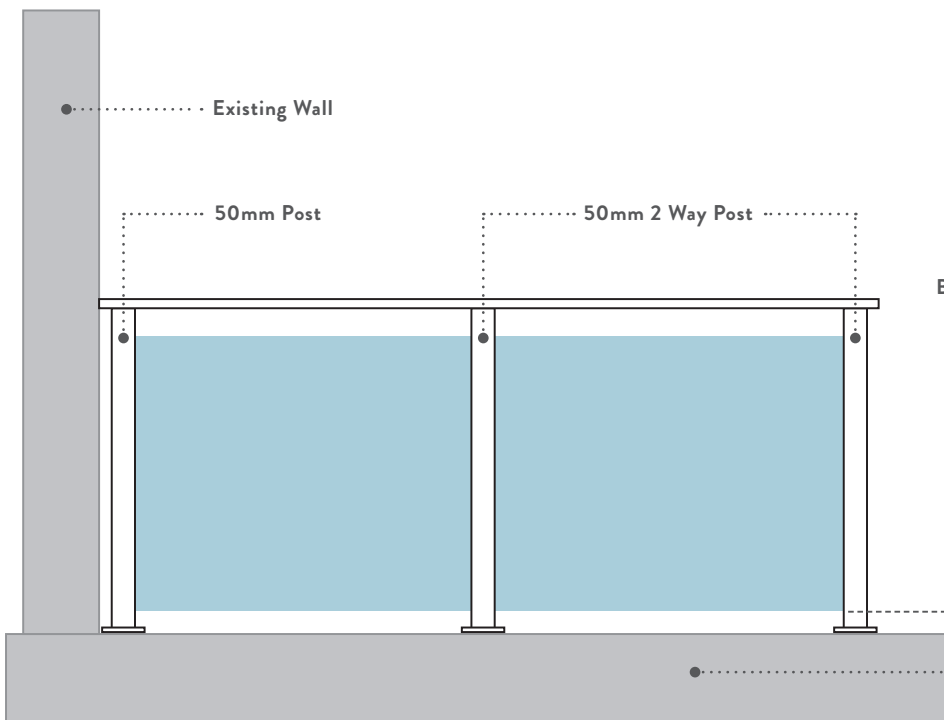
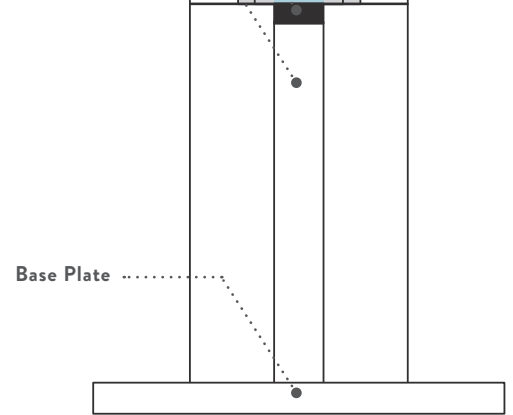
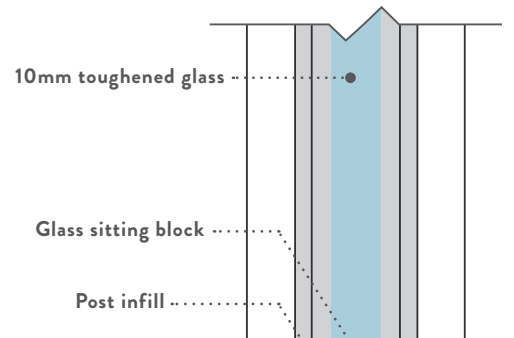
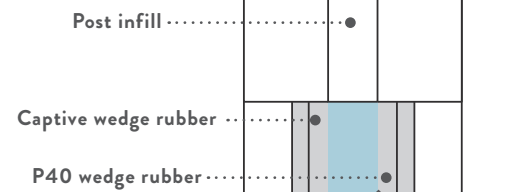
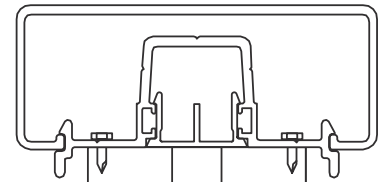




Rectangular Handrail

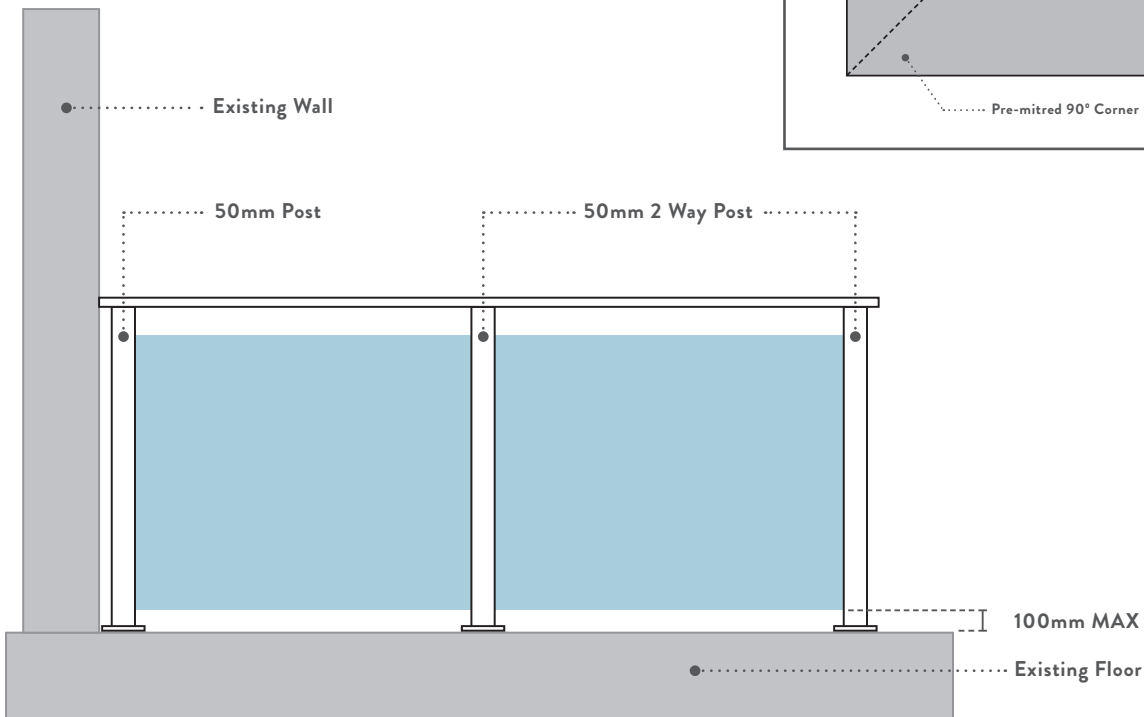
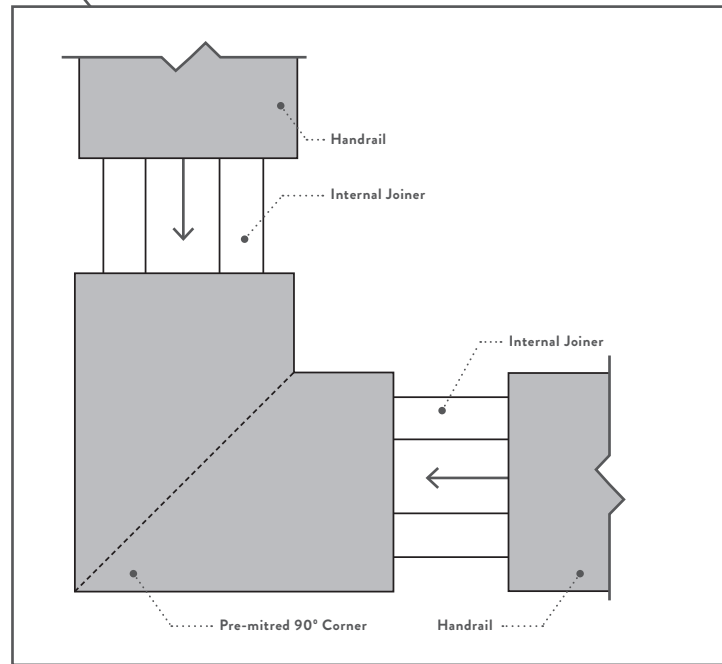
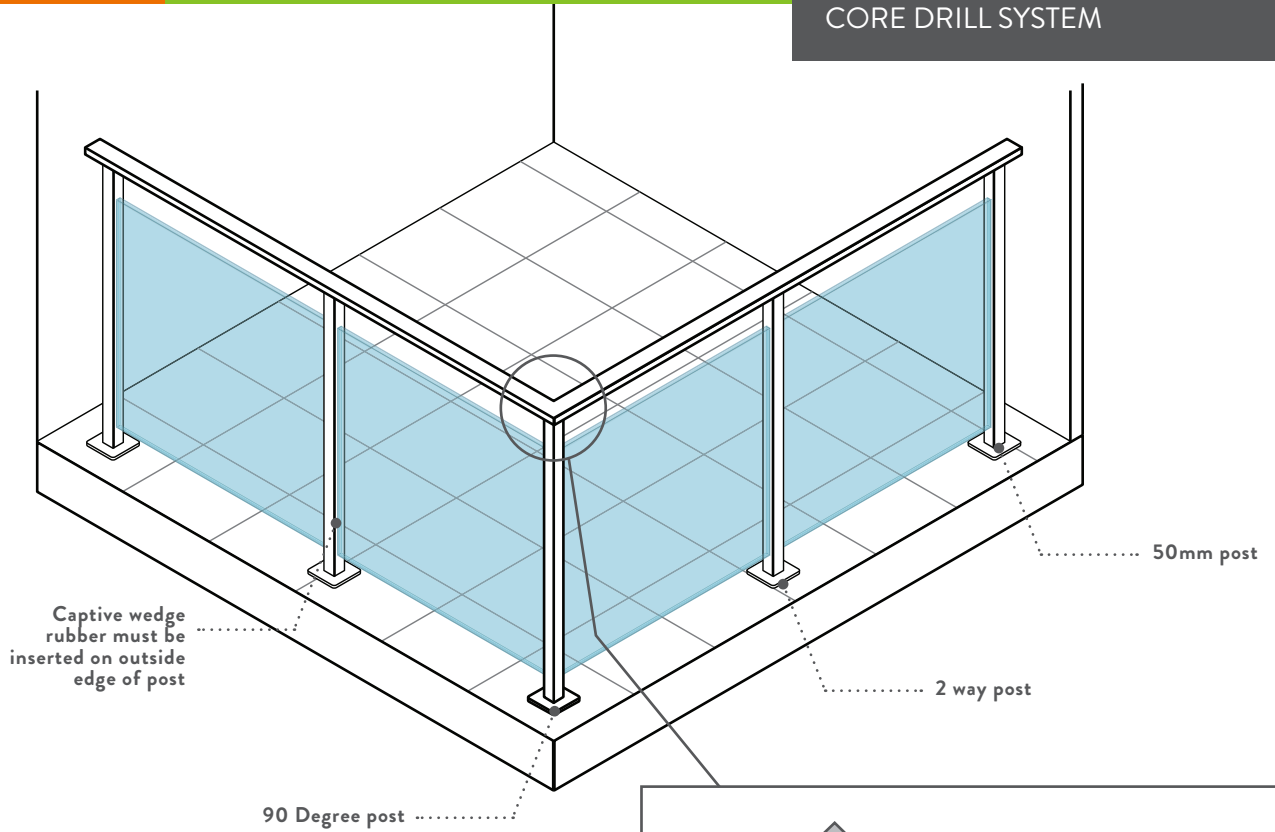


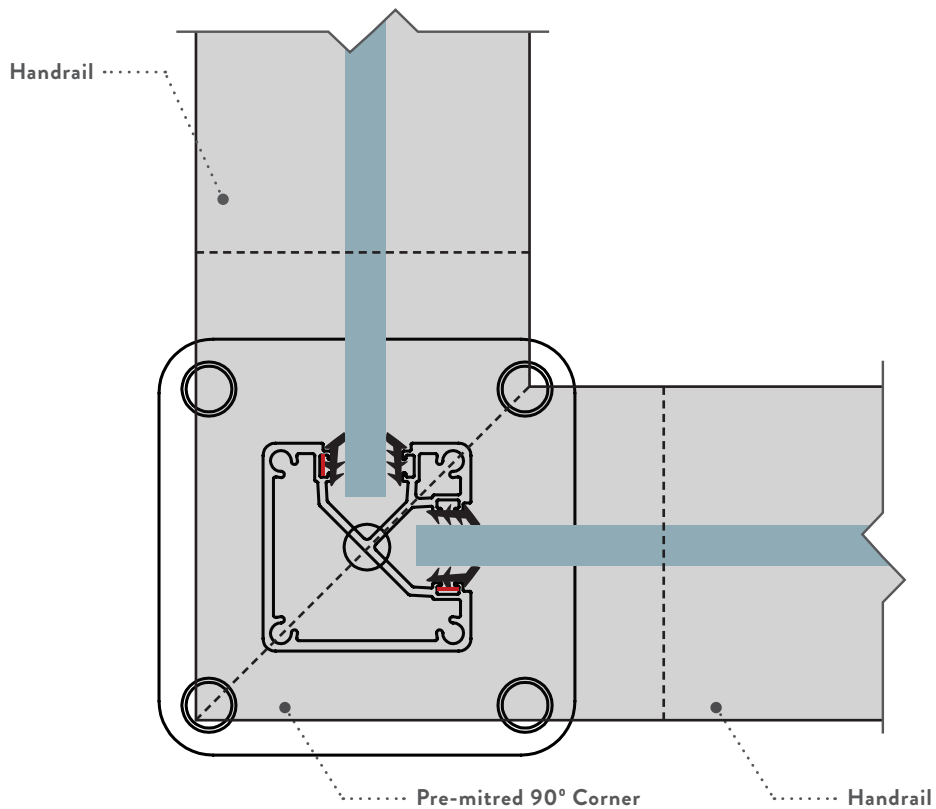
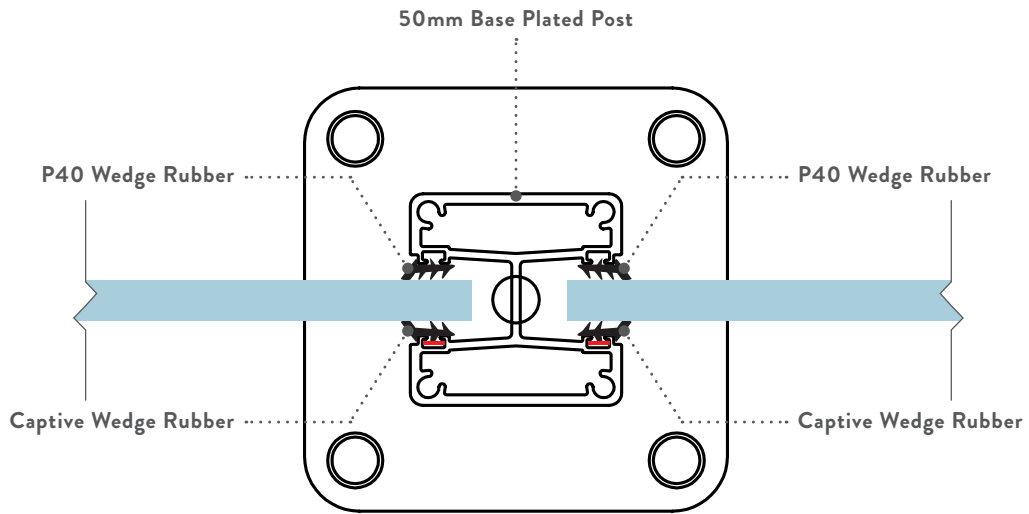
Oval Handrail



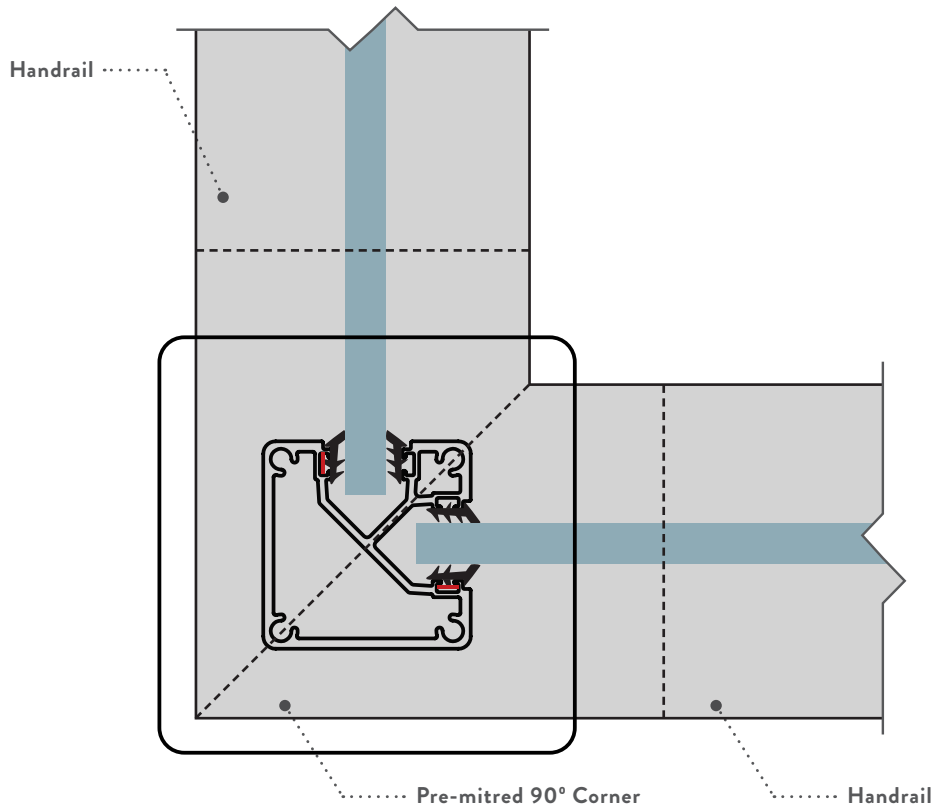
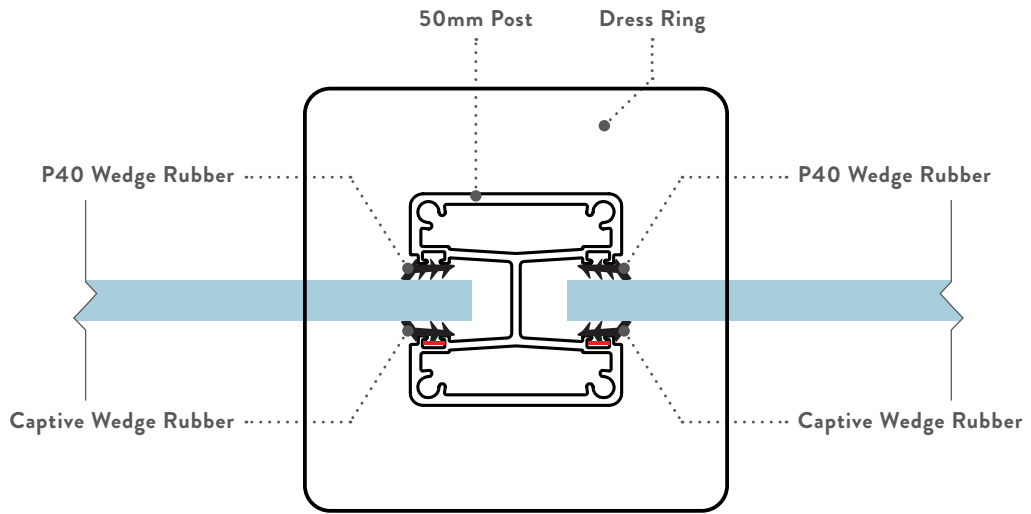
100mm MAX

Existing Floor

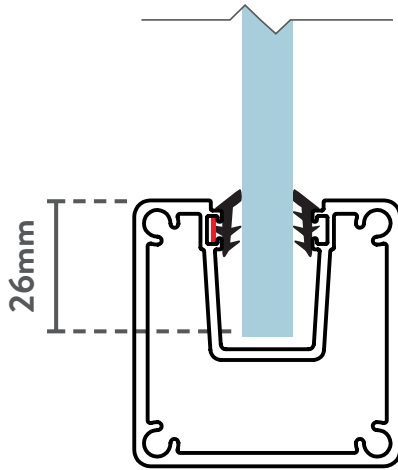




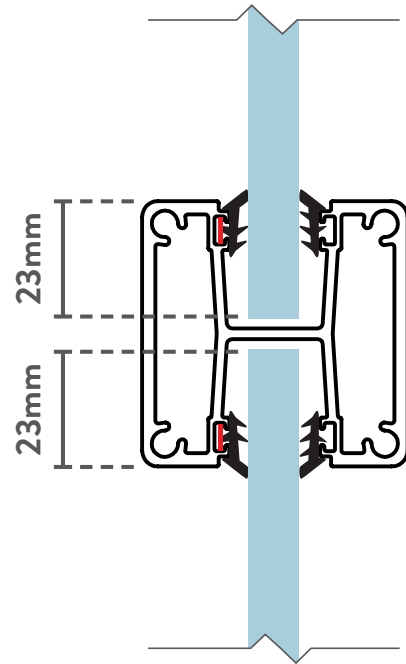
If using base plate, please seek own engineering as every install is different



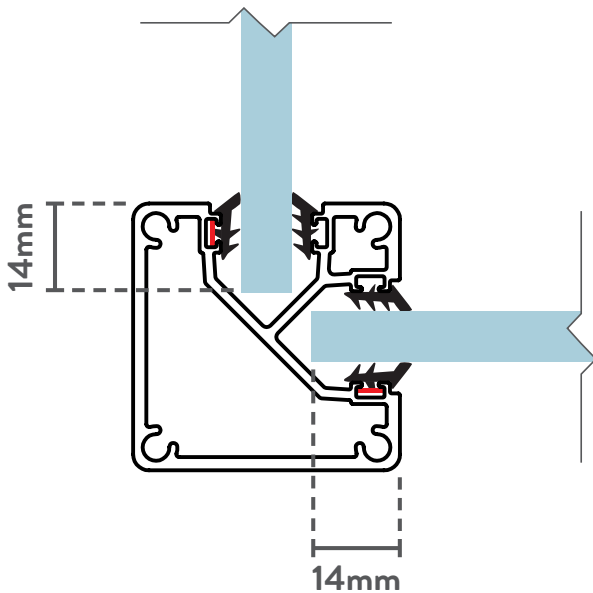
Suggested minimum penetration into the glazing pocket is 10mm



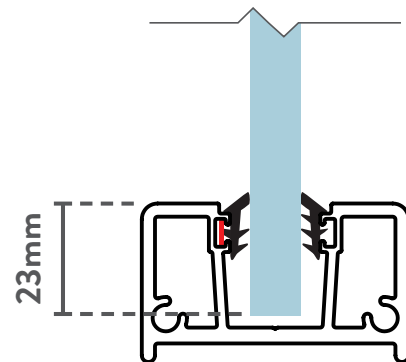
One Way Post



Two Way Post



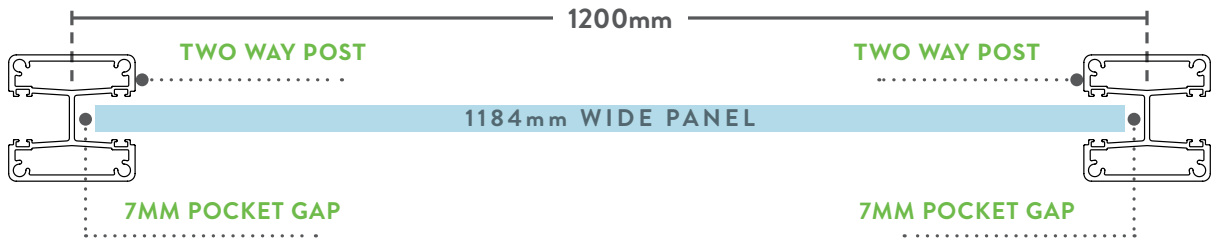
90 Degree Post



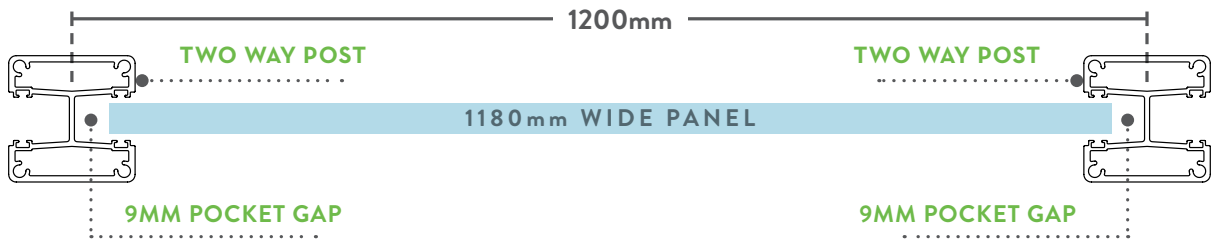
Half Post

Avoid allowing the glass to contact the aluminium back wall in order to prevent glazing shock

**8MM & 10MM POOL PANELS 1200MM HIGH**



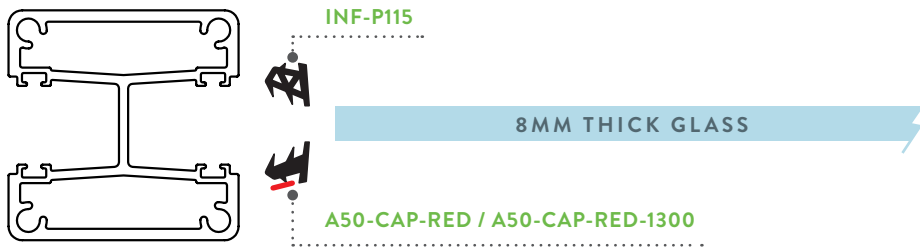
**10MM BALUSTRADE PANELS 850MM & 950MM HIGH**



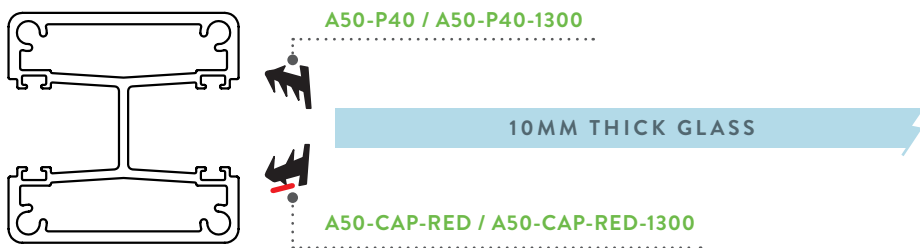
**12MM POOL & BALUSTRADE PANELS 1200MM & 970MM HIGH**



**8MM GLASS PANELS P115 & RED CAPTIVE**



**10MM GLASS PANELS P40 & RED CAPTIVE**



**12MM GLASS PANELS P31/13 & BLUE CAPTIVE**

