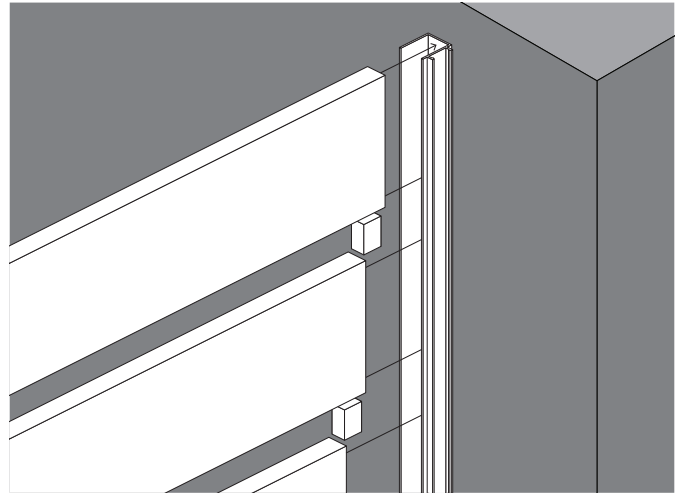
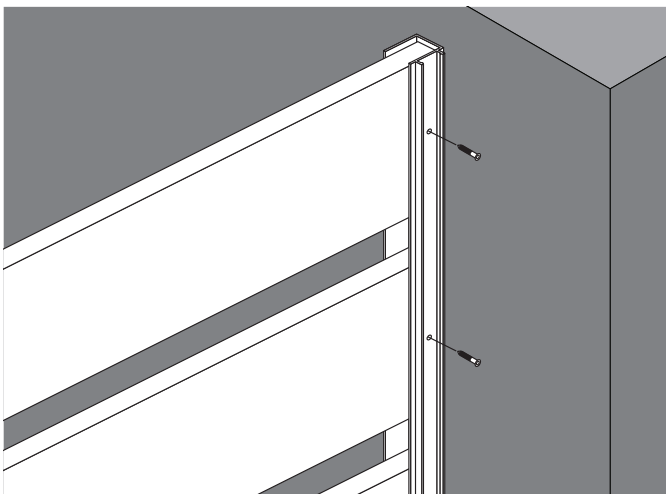


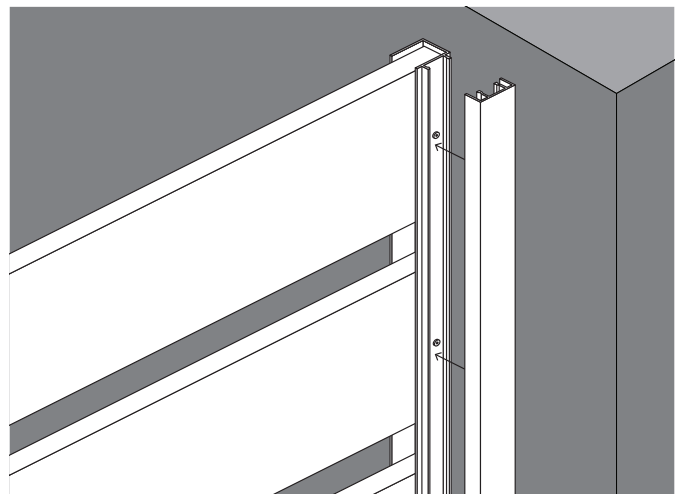
**Step 1**  
Affix side frame to wall or post



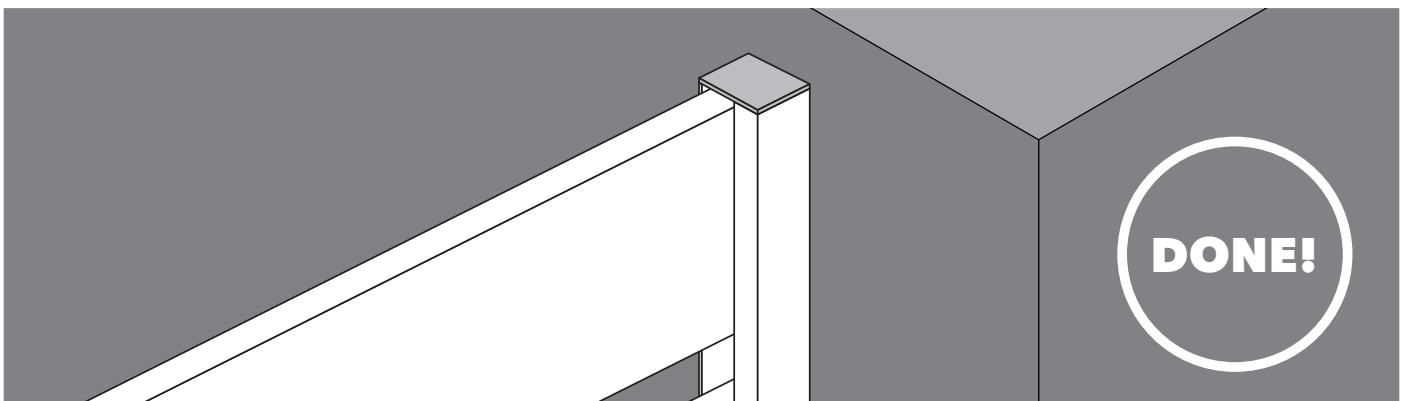
**Step 2**  
Insert 65mm slats into side frame at desired spacing using spacer blocks  
Spacers provided allow a 9, 15 or 20mm gap but any spacing can be achieved



**Step 3**  
Screw off slats with fixings provided



**Step 4**  
Snap on fixing cover to hide screws



**Step 5**  
Insert top cap