

SCREEN TOPPER

SIDE FRAMES

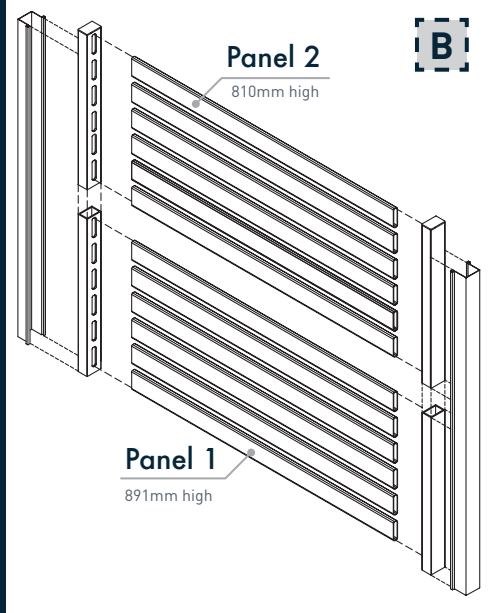
install guide

SCREEN TOPPER



Perfect for adding extra height and privacy to steel sheet fences

SCREEN INFILL PANEL

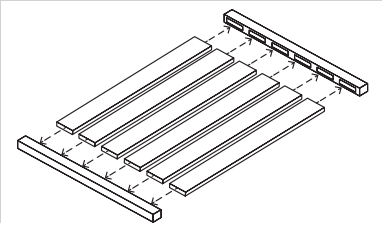


A great solution to add extra style and privacy to steel sheet fences

HOW TO ASSEMBLE SCREEN TOPPER/INFILL

- 1 On a flat, protected surface, lay 1x slotted side frame and push slats into place. Recommend tapping slats in with rubber mallet or similar
- 2 Push the second slotted side frame onto the slats to complete screen topper/infill. Recommend tapping into place with rubber mallet or similar

*Infill panel pictured to the right. Same process applies for screen topper



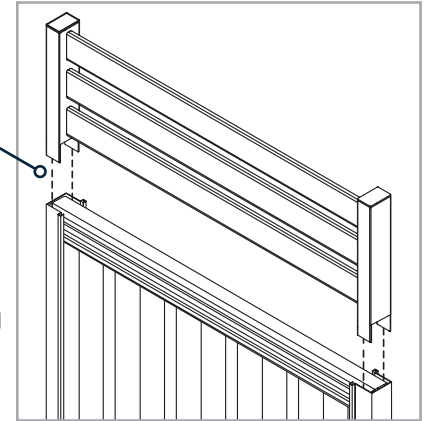
A SCREEN TOPPER

- 1 Take assembled frame and slide both legs of screen topper over top rail.

Legs fit between post and top rail.

Ensure screen topper is inserted properly and is sitting on top of existing top rail.

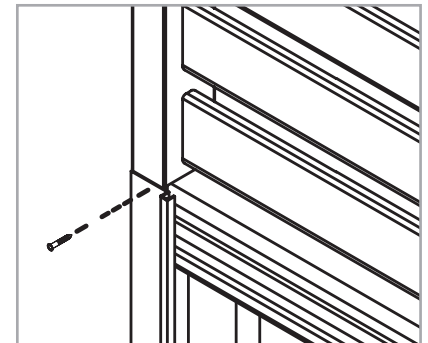
Check in store for required fixings
(Both sides require same installation)



- 2 Screw all components together. Ensure screw penetrates through the side legs of the screen topper and into the existing top rail to hold in place. Repeat for both sides

NOTE: Slat blades may be cut to size if necessary

*Illustrations are for display purposes only



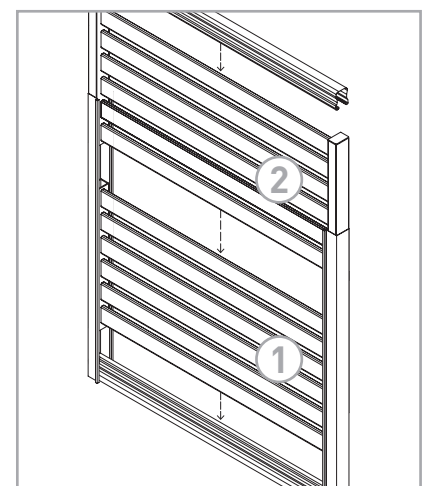
B SCREEN INFILL PANEL

- 1 Assemble larger infill **panel 1** (bottom panel without top caps) and slide down into vertical posts
- 2 Assemble smaller infill **panel 2** (top panel with top caps) and slide down into vertical posts to sit on top of bottom infill panel

PANEL ① 891mm high

PANEL ② 810mm high

- 3 Fit top rail over panel 2



- 4 Screw fix **panel 1** and **panel 2** through vertical post on left and right sides (recommended min. 8 fixings per completed panel)

Check in store for required fixings

NOTE: Slat blades may be cut to size if necessary

Screw through one side only

*Illustrations are for display purposes only

