



Ph: (07) 5576 0600
Fax: (07) 5508 2383
sales@fencesgalore.com

Unit 2, 45 Leda Drive,
Burleigh Heads QLD 4220

www.fencesgalore.com

FENCES GALORE (QLD) PTY LTD
ABN 51 098 278 132

Domestic / Trade / Body Corporate: Pool Fencing, Garden Fencing, Security Fencing, Glass Fencing, Pedestrian Gates, Sliding Gates, Intercoms, Motors, Accessories

QUICK FRAMES – ASSEMBLY GUIDE

Disclaimer: While all care is taken in the production of DIY (Do It Yourself) guides, in line with manufacturer recommendations, all Fences Galore DIY guides are provided as an indicative installation guide only. Fences Galore are not liable or responsible for the outcome of any fence installed using these guides. Fences Galore reserves all of its rights in relation to this matter.

How To Adjust & Install

1. Open your Quick Frame gate kit and assemble your frame.



2. Measure your opening and if required, make simple, straight cuts to alter gate height/width.



3. Re-assemble, confirm measurements and screw your Quick Frame gate kit together using screws provided.



4. Hang your hinge receivers to post or wall.



5. Hang your Quick Frame gate to ensure correct fit.



6. Prepare your desired cladding.



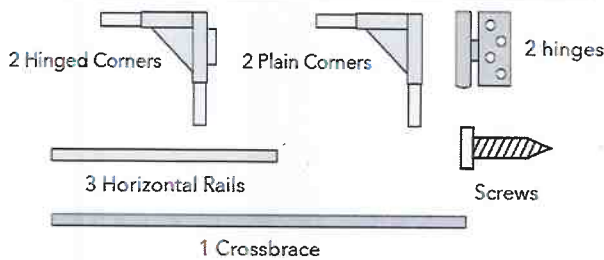
7. Fix your gate or panel cladding to your Quick Frame gate or panel.



8. Re-hang your finished gate and attach
Your latch, lock or catch



KIT CONTENTS



GATE FRAME ASSEMBLY

Tools Required: Drill, Tape Measure, Mallet, Mitre Saw or Angle Grinder/Drop Saw with Steel Cutting Blade

ASSEMBLY SHOULD BE ON A FLAT SURFACE

STEP 1 - MEASURE

Determine width and height of gate by measuring between gate posts.

Allow clearance for hinges & latch:

- 15 to 30mm for a single gate
- 30 to 50mm for a double gate

Don't forget to allow for ground clearance

STEP 2 - MARK AND CUT TO SIZE

Mark the horizontal rails at the required length, they should be 300mm shorter than gate width to allow for 2 gate corner pieces.

Mark the Vertical Rails at the required length, again allow 300mm for the corner pieces

Note: To keep the mid-rail in the centre of the gate, trim an even amount off each end of vertical rails

Check measurements and cut to the marked size

STEP 3 - ASSEMBLY

Determine which side the gate is hinged on

Determine the top & bottom hinge (depends on whether swinging in or out)

Insert vertical rail into the 2 hinged corners (Side B)

Insert other vertical Rail into the remaining two corners (Side A)

Insert all Horizontal Rails (C) into Side A and B.

Lay crossbrace on top of the gate, ensuring it starts at the bottom near a hinged corner and ends at the opposing corner, mark and cut to size

Next separate bottom corner piece (D) from the rails, fit the cross brace in position, and refit the corner piece

Check that the frame is square, then secure all parts in place with the screws provided.

STEP 4 - HINGE ADJUSTMENT

The gate should slide DOWN on to the hinge plates, The oil cap and ball bearing should be at the top of both hinges.

If they are not, they can be easily reversed, just remove the oil cap, then use the hinge plate and a hammer to gently tap the ball bearing until it snaps into top position. Finally insert the Oil Cap on the top of the hinge.

Note: do not install with hinge upside down, ie. with ball bearing and cap at bottom of hinge, this allows water to fill hinge barrel and can cause hinge seizure.

STEP 5 - INSTALL THE GATE

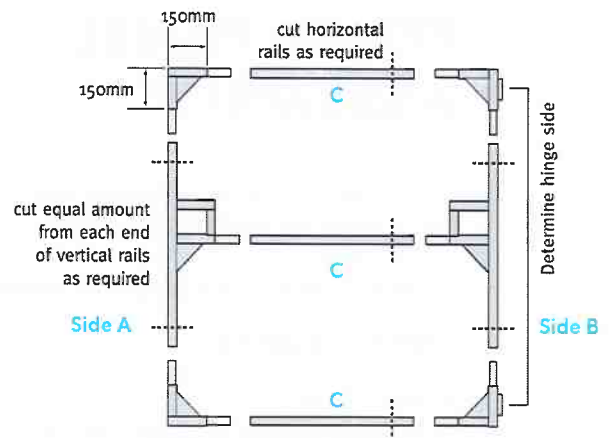
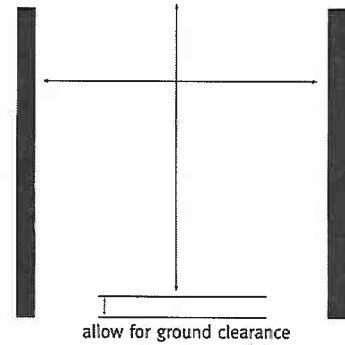
With the Hinge Plates in place, place the gate frame in position. Use a **chock** if needed to get the correct height. Check that the gate is aligned correctly, then screw the hinge plates to the post.

Check that the gate opens & closes freely, adjust the hinge position on the post if necessary

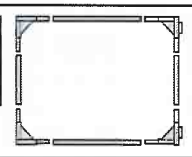
STEP 6 - FINISHING

Fit the cladding and latch to the Gate Frame as required. When fixing to the frame, do not pre-drill, use self-drilling screws, length approximately the thickness of material being fixed plus 20mm.

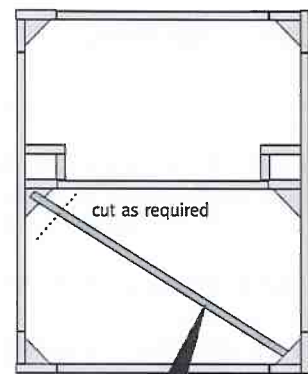
Determine height and width of gate by measuring between gate posts.



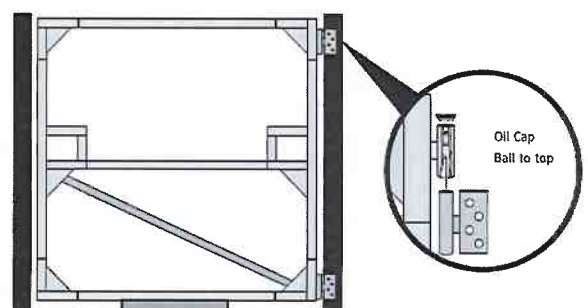
IMPORTANT:
Latch cut outs not included for 1800mm W x 1200mm H gate



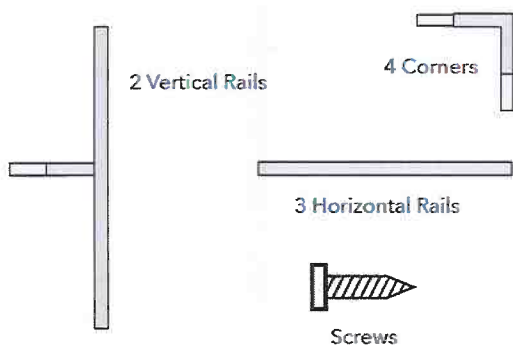
Crossbrace fitting



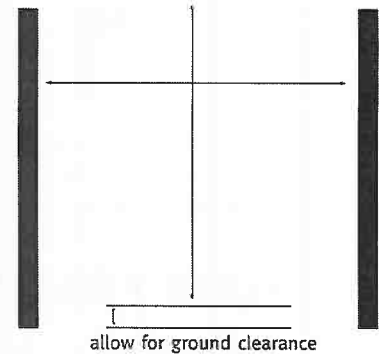
IMPORTANT: Cross brace not included or required for 1100mm W x 1800mm H gate



KIT CONTENTS



Determine height and width of panel by measuring between fence posts.



FENCE PANEL ASSEMBLY

Tools Required: Drill, Tape Measure, Mallet, Mitre Saw or Angle Grinder/Drop Saw with Steel Cutting Blade

ASSEMBLY SHOULD BE ON A FLAT SURFACE

STEP 1 - MEASURE

Determine width and height of panel by measuring between fence posts.

Don't forget to allow for ground clearance

STEP 2 - MARK AND CUT TO SIZE

Mark the 3 horizontal rails at the required length, they should be 300mm shorter than panel width to allow for 2 corner pieces.

Mark the Vertical Rails at the required length, again allow 300mm for the corner pieces

Check measurements and cut to the marked size

STEP 3 - ASSEMBLY

Insert vertical rail into 2 corners (side A)

Insert other vertical rail into the remaining two corners (side B).

Insert all Horizontal Rails (C) into Side A and B.

Check that the frame is square, then secure all parts in place with the screws provided

STEP 4 - FIXING TO POSTS

Align panel with post and drill pilot holes in vertical rails to suit screws. Fix panel to post.

STEP 5 - FINISHING

Fit chosen cladding to the frame as required.

When fixing to the frame, do not pre-drill frame, use self-drilling screws, length approximately the thickness of cladding plus 20mm.

