

XPRESS Vertical battens

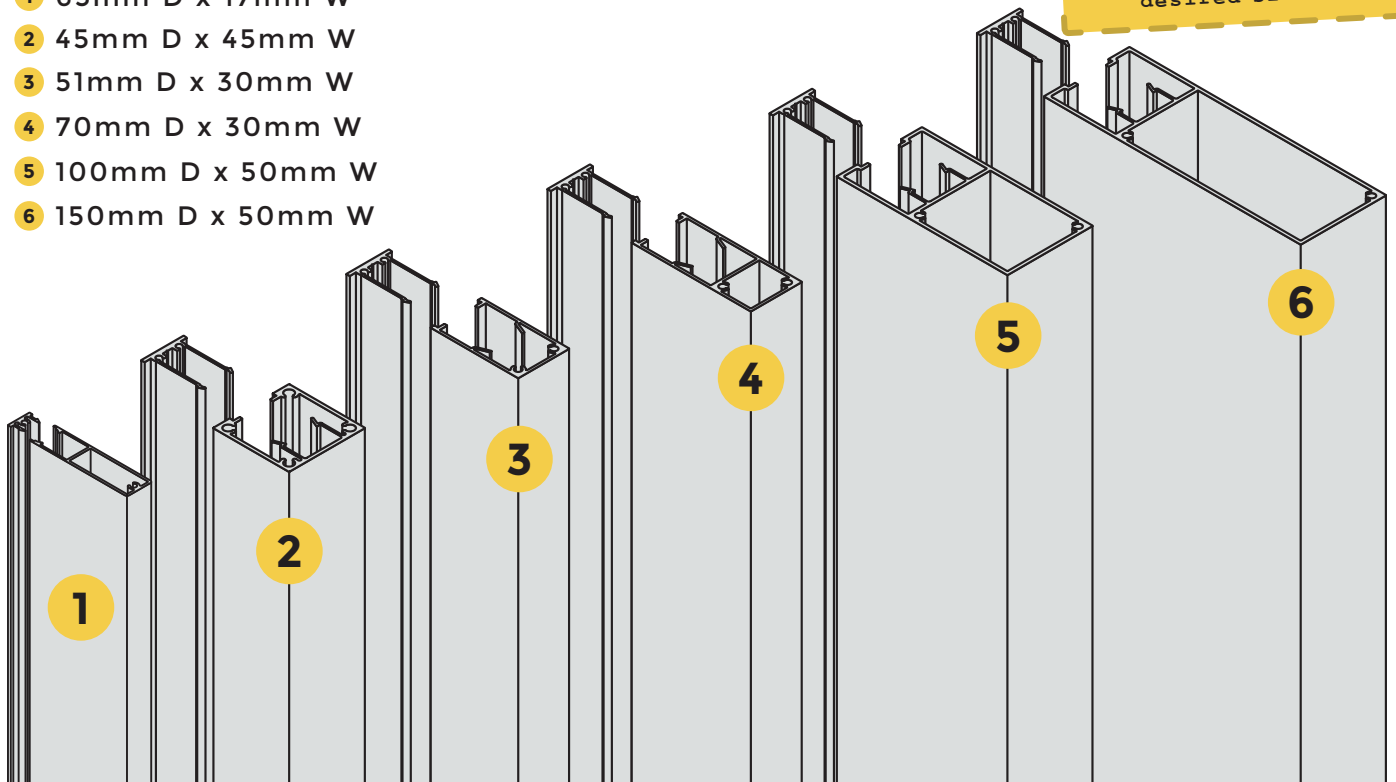
**PATENTED
NO WELD
SYSTEM!**

- Patented no weld aluminium batten system
- Various batten sizes snap onto simple fixing clip
- Fit to face of walls and ceilings or between pillars or posts
- Cut to size system with a quick and easy excel quote/order calculator
- Also available in component form: 6100mm long extrusions with accessories (caps, shrouds etc)
- Fast and easy install
- Five finishes available

BATTEN SIZES AVAILABLE

- 1 65mm D x 17mm W
- 2 45mm D x 45mm W
- 3 51mm D x 30mm W
- 4 70mm D x 30mm W
- 5 100mm D x 50mm W
- 6 150mm D x 50mm W

**CUT TO
SIZE SERVICE**
Simply advise
desired sizes



FINISHES AVAILABLE

Monument

Powder coat

Woodland
Grey

Powder coat

Pearl White

Powder coat

Western Red
Cedar

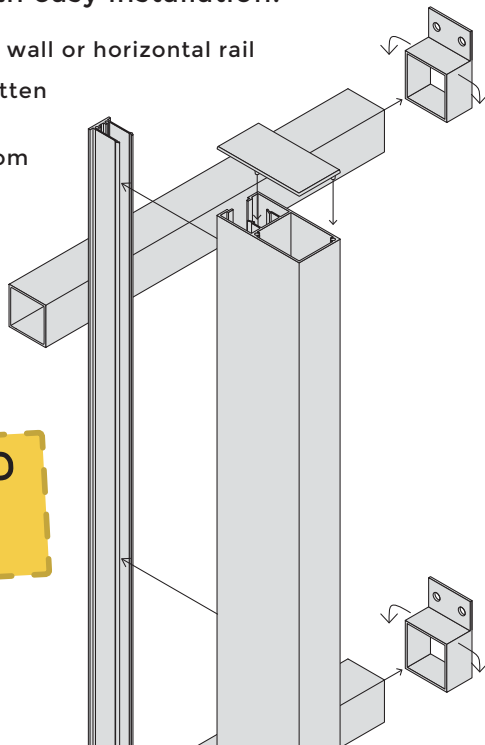
Timber image

Mill

SYSTEM OVERVIEW

With PATENTED Xpress Battens, achieve a visually stunning finish with easy installation!

- 1 Screw fixing clip to wall or horizontal rail
- 2 Snap on desired batten
- 3 Fit aluminium caps (top push in / bottom screw fix)



**PATENTED
NO WELD
SYSTEM!**

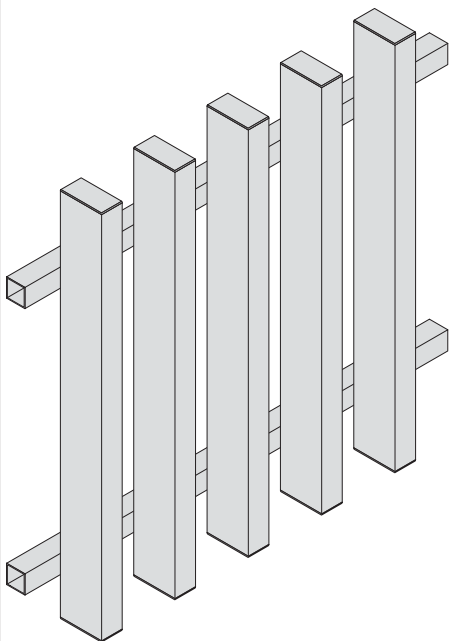


**ALSO
AVAILABLE
FOR FIXING
DIRECTLY
TO A WALL,
CEILING OR
EXISTING
RAILS**

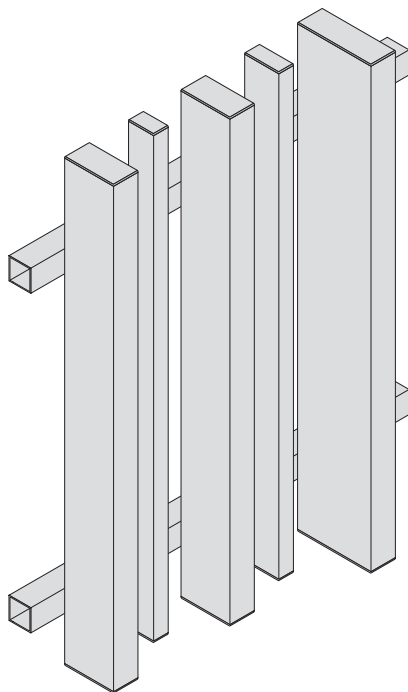
VARIOUS STYLES CAN BE ACHIEVED

MIX & MATCH BATTEN SIZES & GAPS

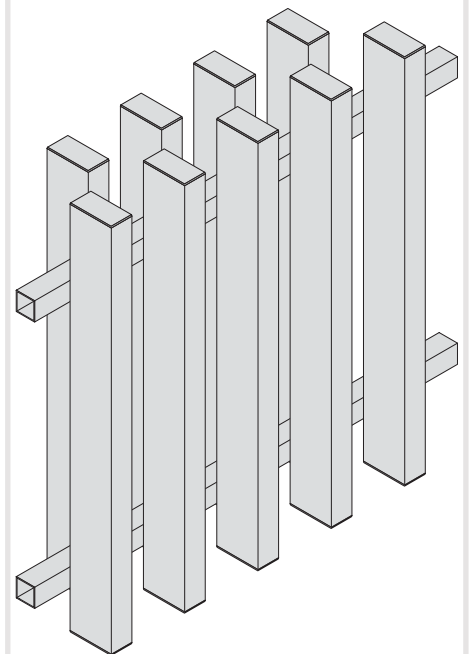
Matching sizes



Varied sizes



Double battens



Battens come standard with 2x aluminium caps per batten (top and bottom)
45x45mm horizontal rail comes with 2x fixing brackets as standard